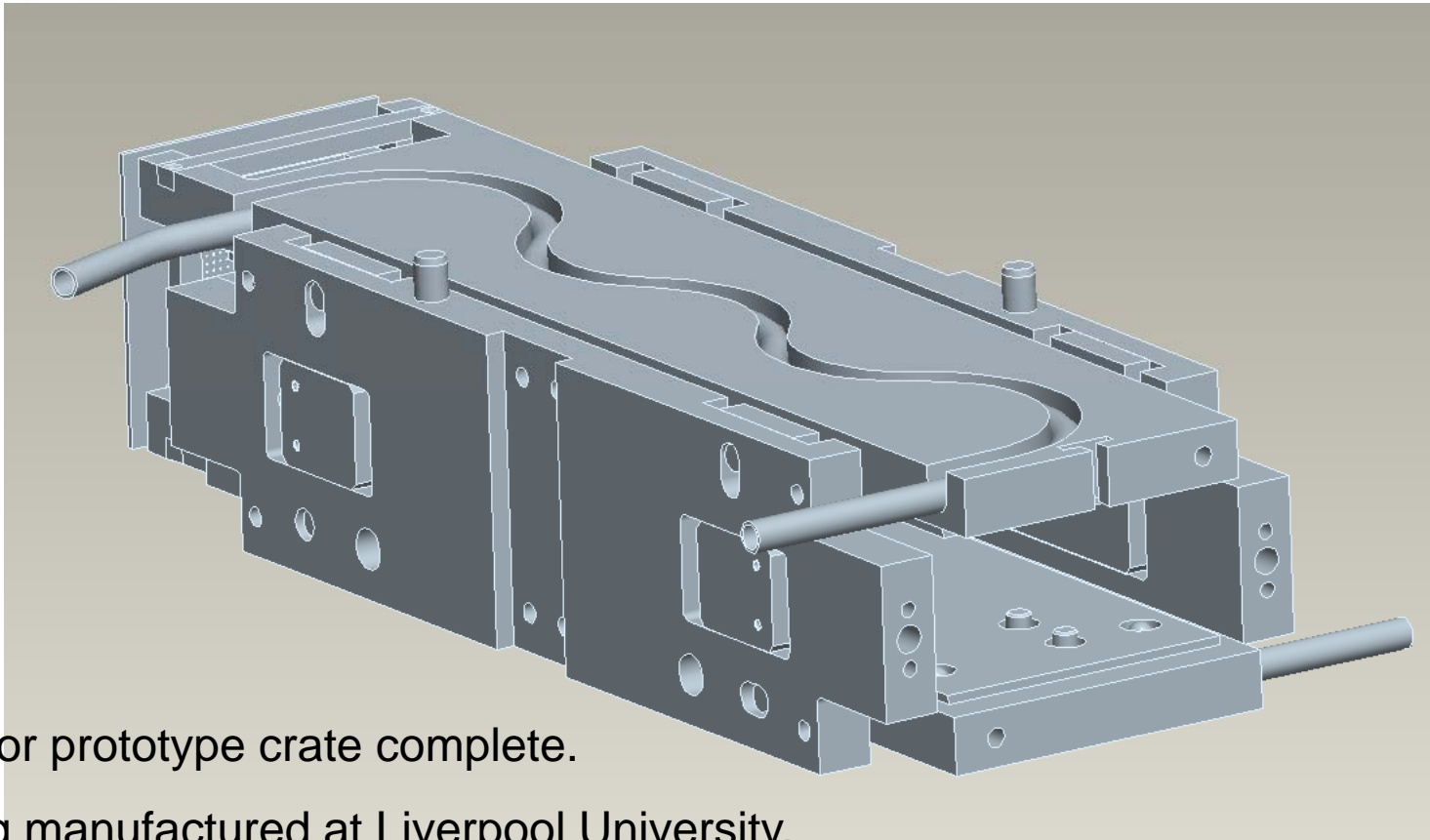




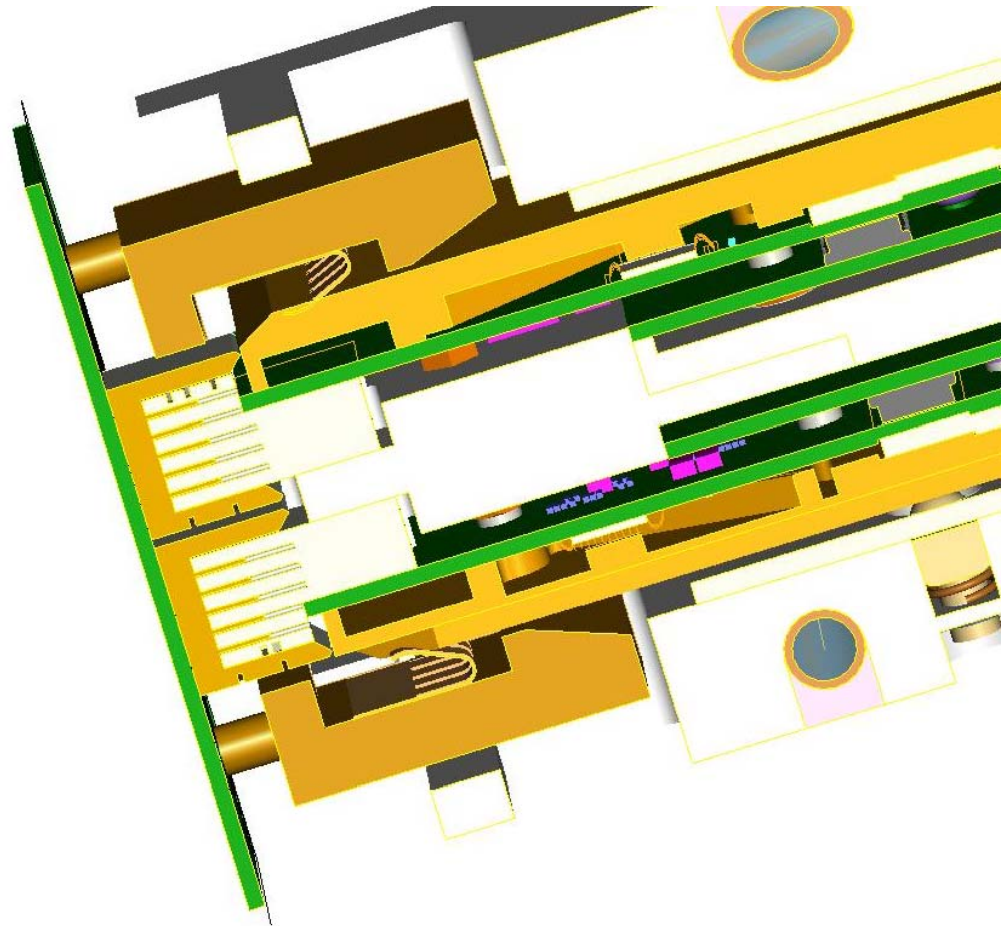
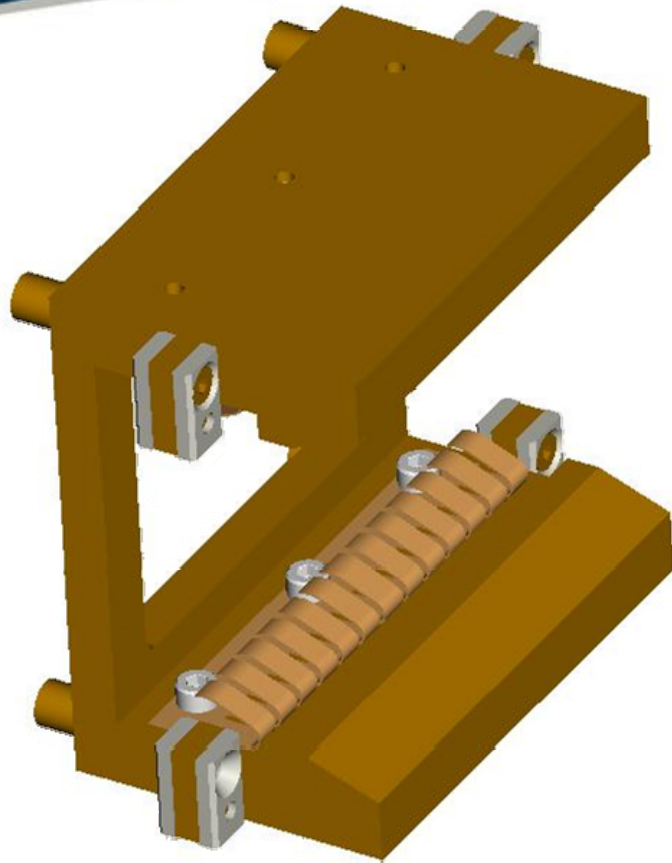
Status of Electronics Module



Drawings for prototype crate complete.

Parts being manufactured at Liverpool University.

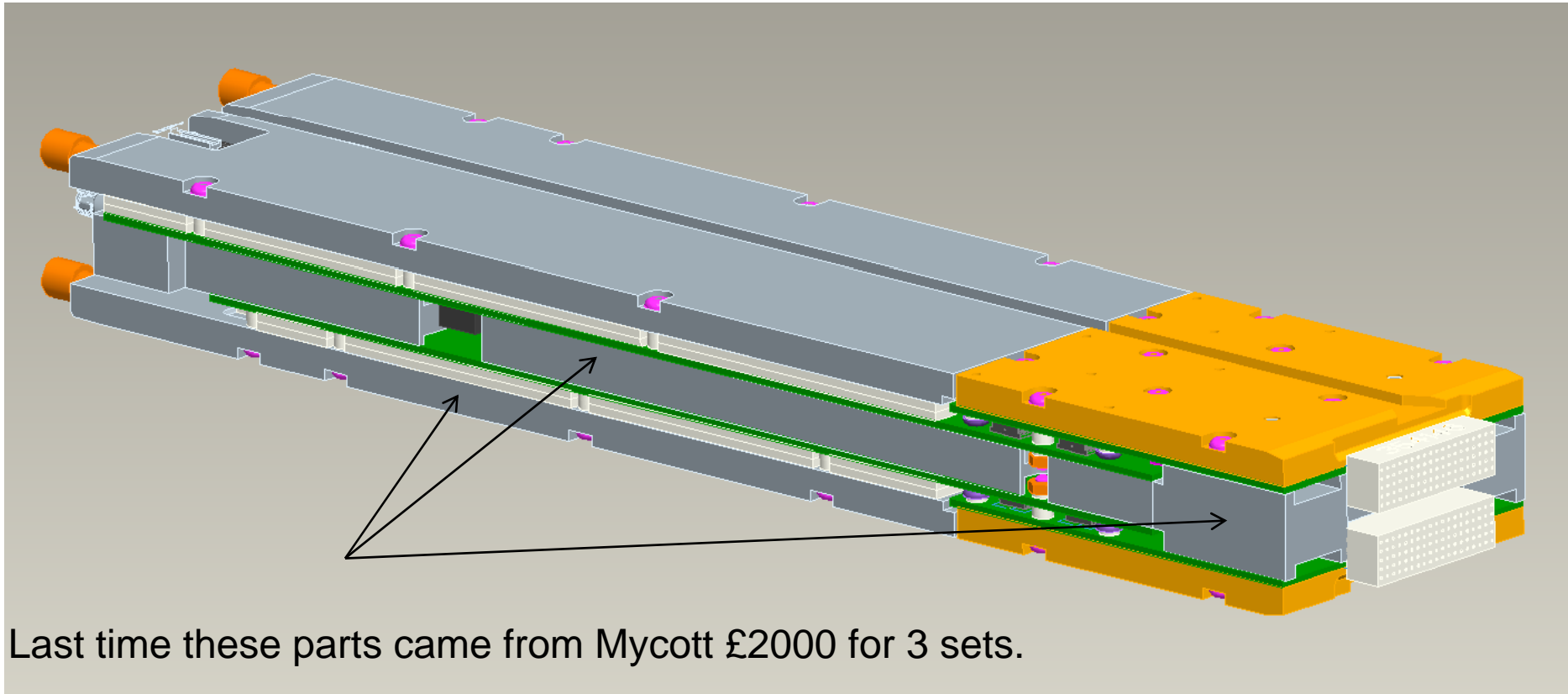
Should be complete around Christmas.



Proposed mods to mechanics to improve earthing



Status of Electronics Module



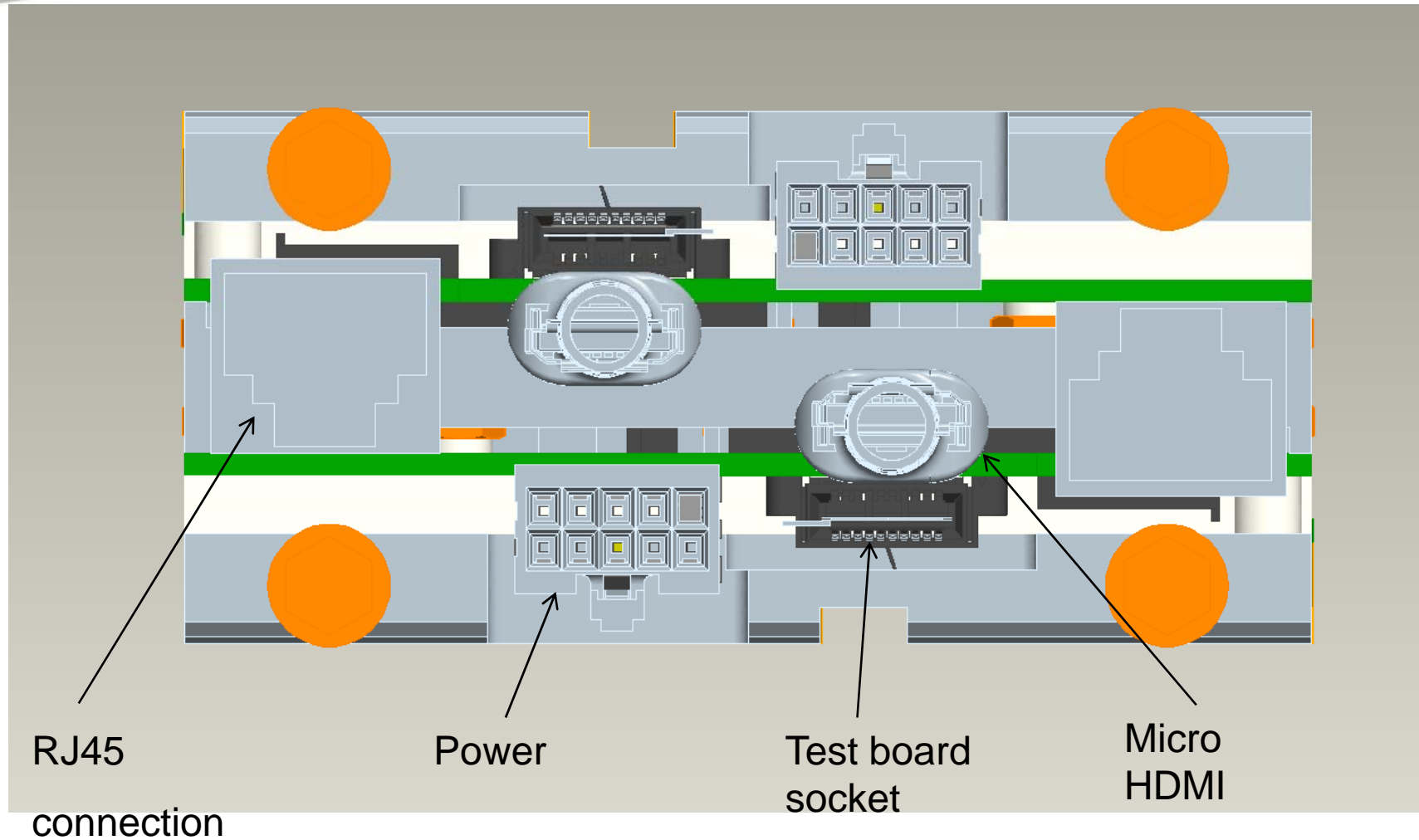
Last time these parts came from Mycott £2000 for 3 sets.

£3624 for 20 Heatsinks came from Sennar

This time £4938 +VAT for 40 Heatsinks from Sennar

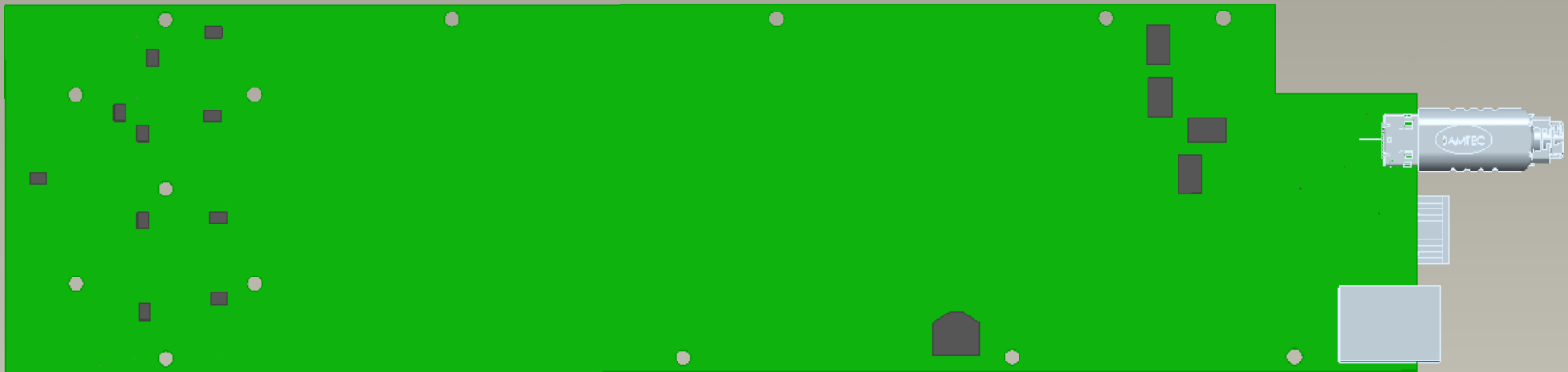
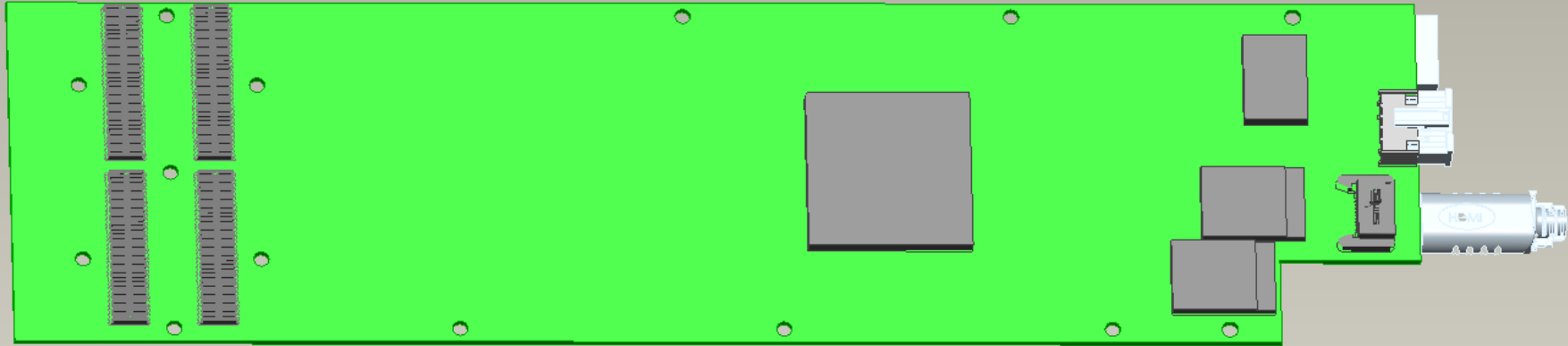


Front View of Module



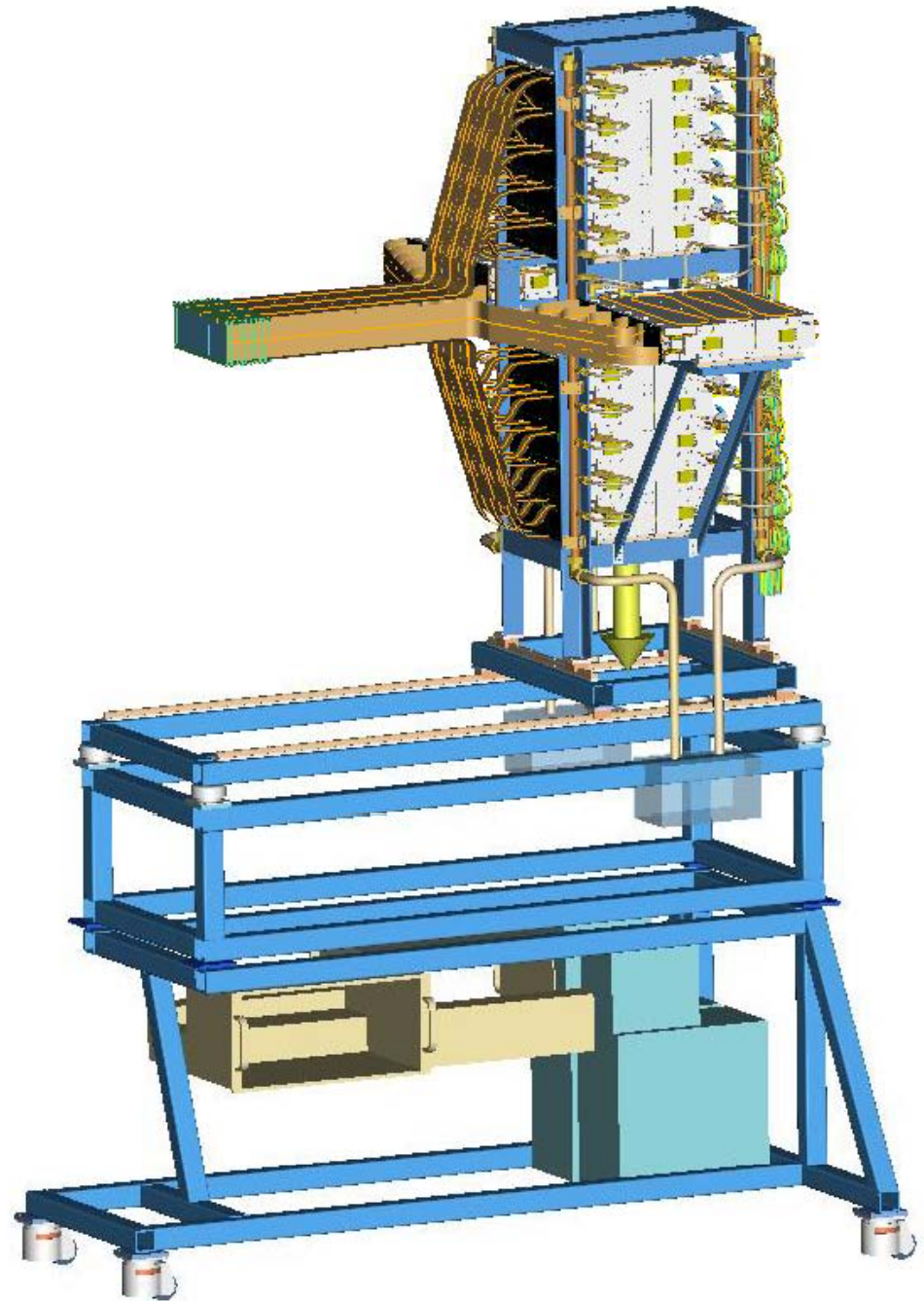


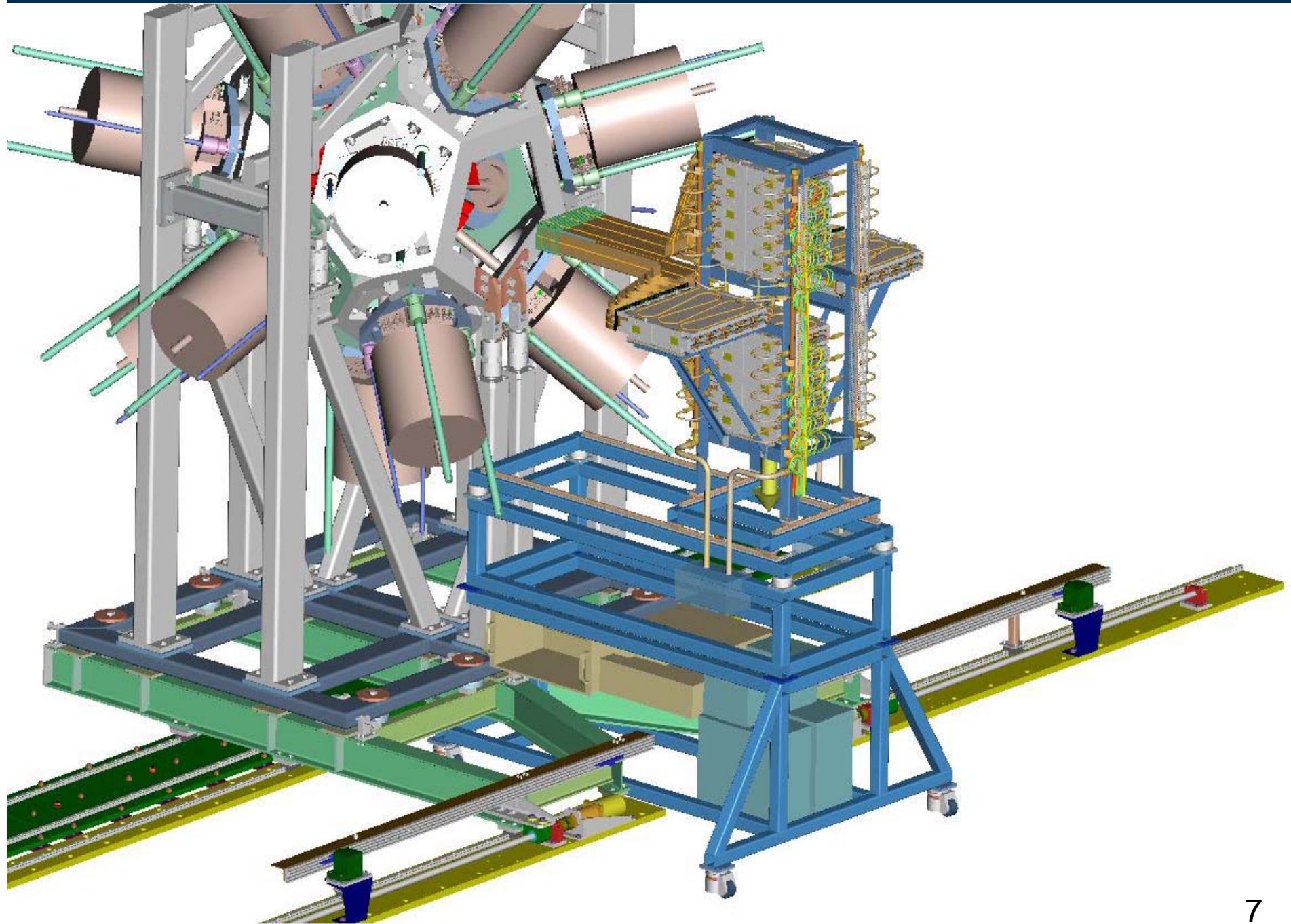
FEE64 card





Science & Technology
Facilities Council







Status of Electronics Module

Heatsinks - £5802 (actual)

Aluminium module - £22.5k (estimated)

Crates - £22k

Total - £50.8k

Orders to be placed in next two weeks.